

| (M105-F, M105-FC)       |         | D( H) | S( ) | T( ) | C( ) |
|-------------------------|---------|-------|------|------|------|
| MITSUBISHI OUTLANDER XL | M105-FC | 5,1   | 50   | 1800 | 750  |
| 2006-...                | M105-F  | 9,2   | 100  | 1800 | 2000 |
| D = g* TC/T+C           |         |       |      |      |      |
| S -                     |         |       |      |      |      |
| T -                     |         |       |      |      |      |
| C -                     |         |       |      |      |      |

(M105-F, M105-FC) MITSUBISHI OUTLANDER XL 2006-...  
1000

80

28248-89 «  
37.001.096-93»

МАГАЗИН

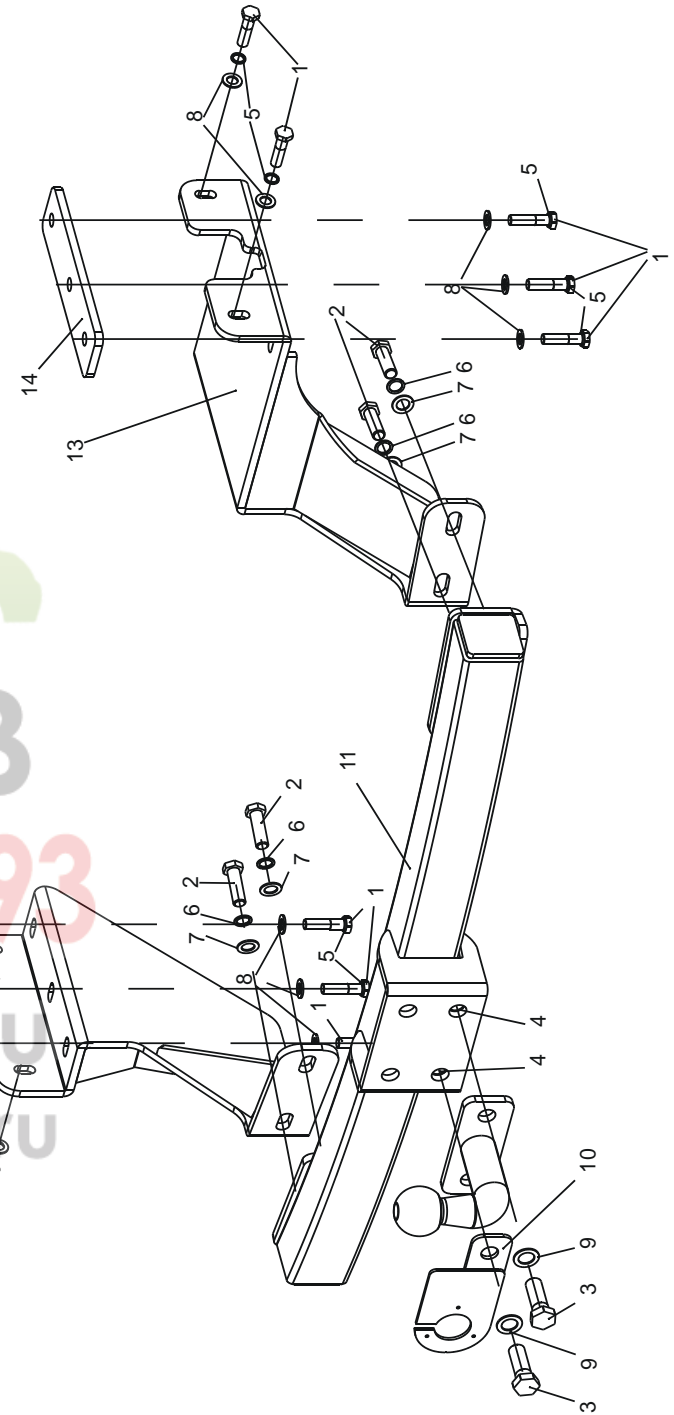
ФАРКОПОВ

+7 (495) 6-693-693

www.magfarkop.ru  
magfarkop@yandex.ru

M 105-F

|    |      |      |    |    |   |
|----|------|------|----|----|---|
| 1  | 10   | 1.25 | 40 | 1  | 2 |
| 2  | 12   | 40   |    | 4  |   |
| 3  | 16   | 45   |    | 2  |   |
| 4  | 16   |      |    | 2  |   |
| 5  | d.10 |      |    | 10 |   |
| 6  | d.12 |      |    | 4  |   |
| 7  | d.12 |      |    | 4  |   |
| 8  | d.10 |      |    | 10 |   |
| 9  | d.16 |      |    | 2  |   |
| 10 | F    |      |    | 1  |   |
| 11 |      |      |    | 1  |   |
| 12 |      |      |    | 1  |   |
| 13 |      |      |    | 1  |   |
| 14 |      |      |    | 8  |   |



| 1. | 2. |  |   |
|----|----|--|---|
|    |    | (M105-F, M105-FC) MITSUBISHI OUTLANDER XL 2006-... | 1 |
|    |    | 50   | 1 |
|    |    | 23   | 1 |
|    |    |  | 1 |

3.

10 40 1,25(1),  
(11)

(12,13)

12 40(2),  
( )

1.

4.

1( )

|           |  |  |
|-----------|--|--|
| 1 (L/1)   |  |  |
| 2 (54/2G) |  |  |
| 3 (31/3)  |  |  |
| 4 (R/4)   |  |  |
| 5 (58R/5) |  |  |
| 6 (54/6)  |  |  |
| 7 (58L/7) |  |  |

